

# E058H-A/E158H-A SERIES

4.8mm WIRE TO WIRE CONNECTOR

## ● Specifications

Current rating: 4A AC,DC

Voltage rating: 250V AC,DC

Temperature range: -25° C to+85° C

(including temperature rise)

Contact resistance: Initial value/10m Ω Max.

After environmental testing/20m Ω Max.

Insulation resistance: 1000M Ω MIN.

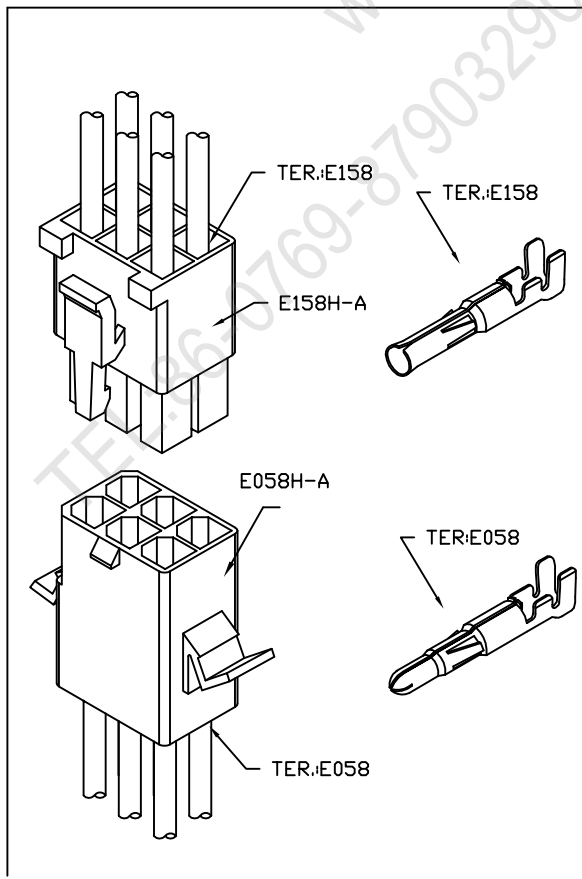
Withstanding voltage: 1500V AC/minute

Applicable wire: AWG#18-22

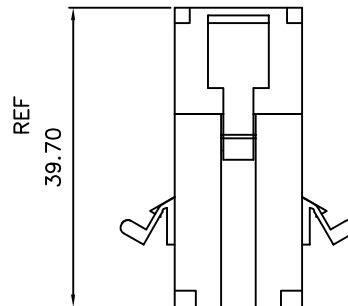
## ● Standards



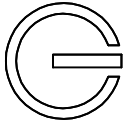
LR84767



## Assembly layout



WIRE TO WIRE



# E058

## CRIMP TERMINAL

### E058

#### Features:

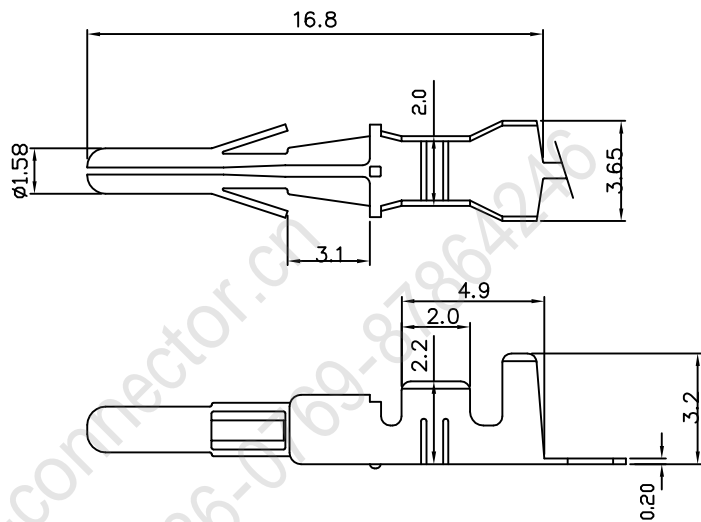
THICKNESS: 0.20 mm

MAT'L: BRASS TIN PLATED

MATES WITH: E158 SERIES TERMINAL

ACCEPTS WITH: E058H E058H-A  
E058H-K HOUSING

unit:mm



Part No	Wire Range	Insulation O.D.	Material	Finish	Qty/reel
E058	#18-#22	3.0mm max	BRASS	Tin-plated	7000

# E158

## CRIMP TERMINAL

### E158

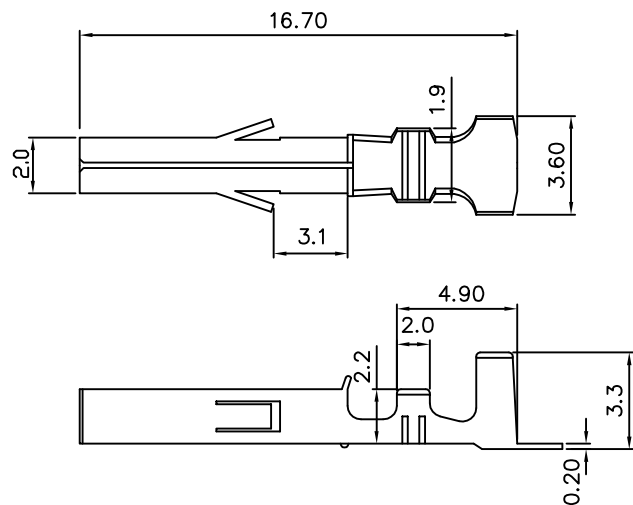
#### Features:

THICKNESS: 0.20 mm

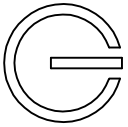
MAT'L: BRASS TIN PLATED

MATES WITH: E058 SERIES TERMINAL

ACCEPTS WITH: E158H E158H-A  
E158H-K HOUSING



Part No	Wire Range	Insulation O.D.	Material	Finish	Qty/reel
E158	#18-#22	3.0mm max	BRASS	Tin-plated	7000



# *E058H/E158H E058H-K/E158H-K* SERIES

3.68mm WIRE TO BOARD CONNECTOR

## ● Specifications

Current rating: 4A AC,DC

Voltage rating: 250V AC,DC

Temperature range: -25° C to+85° C  
(including temperature rise)

Contact resistance: Initial value/10m Ω Max.  
After environmental testing/20m Ω Max.

Insulation resistance: 500M Ω MIN.

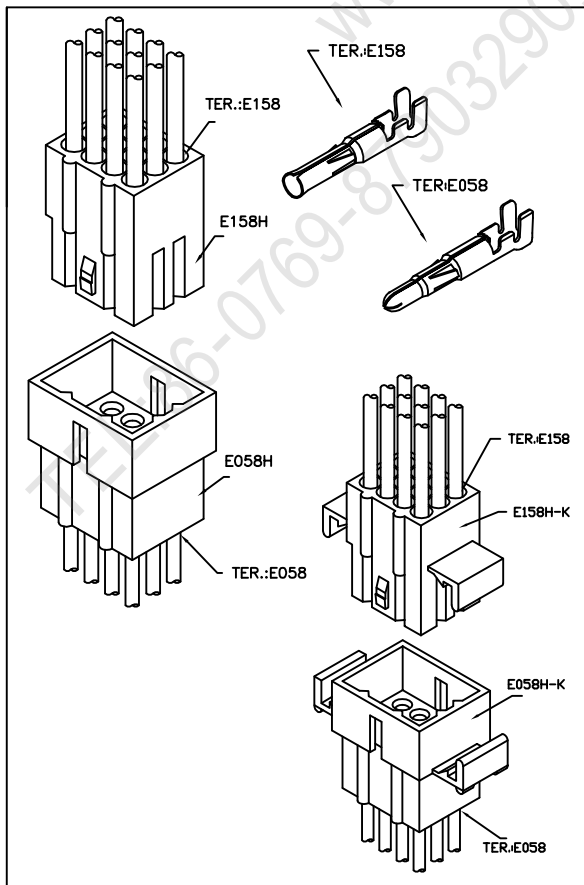
Withstanding voltage: 1500V AC/minute

Applicable wire: AWG#18-22

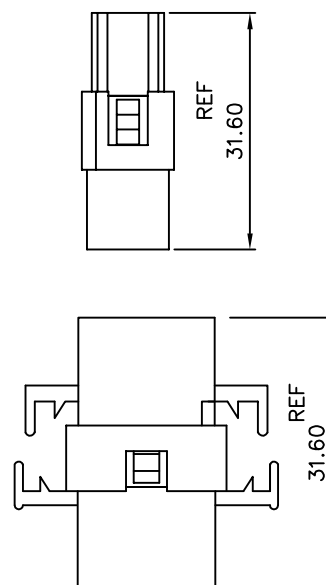
## ● Standards

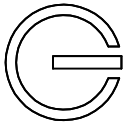


LR84767



## Assembly layout





# E058H / E058H-K 3.68mm PITCH HOUSING

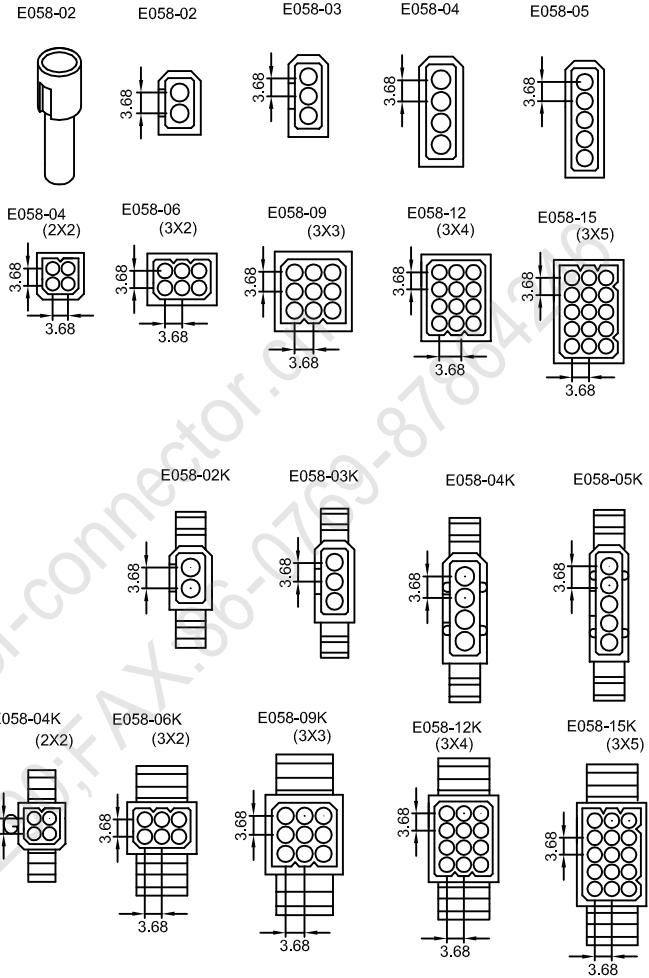
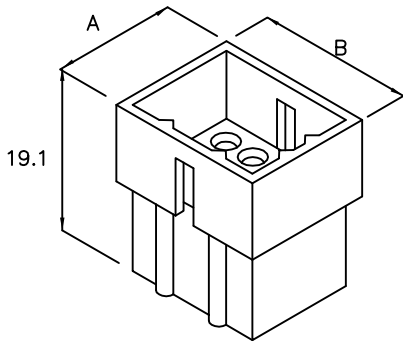
## E058

### Features:

MAT'L: NYLON66 UL94-V2

MATES WITH: E058 SERIES TERMINAL

MATES WITH: E058H SERIES HOUSING



## E058-K

### Features:

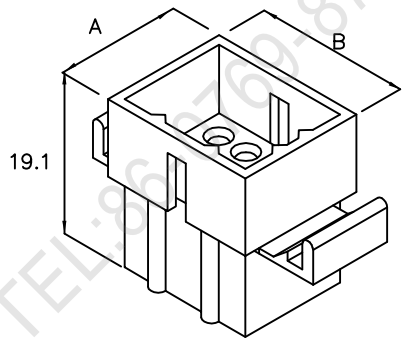
MAT'L: NYLON66 UL94-V2

MATES WITH: E058 SERIES TERMINAL

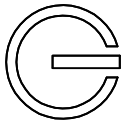
SERIES TERMINAL

MATES WITH: E158-K SERIES HOUSING

SERIES HOUSING



PRAT NO	A	B
E058H-01	∅7.6	
E058H-02 (1X2) E058H-02K	7.5	11.20
E058H-03 (1X3) E058H-03K	7.5	14.90
E058H-04 (1X4) E058H-04K	7.5	18.75
E058H-05 (1X5) E058H-05K	7.9	22.50
E058H-04 (2X2) E058H-04K	11.2	11.2
E058H-06 (3X2) E058H-06K	15.0	11.2
E058H-09 (3X3) E058H-09K	15.0	14.9
E058H-12 (3X4) E058H-12K	15.0	18.7
E058H-15 (3X5) E058H-15K	15.0	22.3



# E158H-A

4.8mm PITCH HOUSING

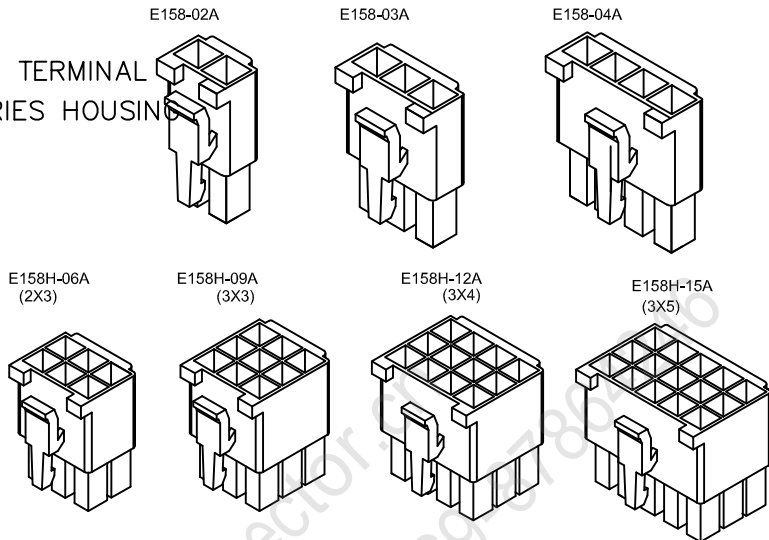
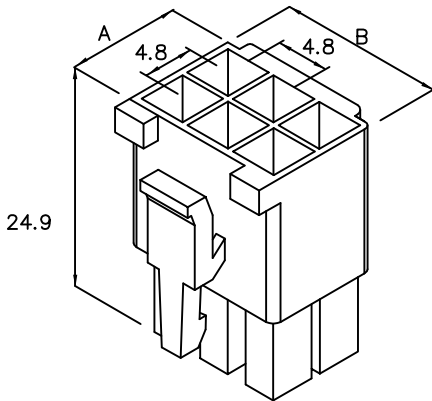
## Features:

MAT'L: NYLON66 UL94-V2

MATES WITH: E158 SERIES TERMINAL

MATES WITH: E058-A SERIES HOUSING

unit:mm



PRAT NO	A	B
E158H-02A (1X2)	7.2	12.0
E158H-03A (1X3)	7.2	16.8
E158H-04A(1X4)	7.2	21.6
E158H-06A(2x3)	12.0	16.8
E158H-09A(3X3)	16.8	16.8
E158H-12A(3X4)	16.8	21.6
E158H-15A(3X5)	16.8	26.4

# E058H-A

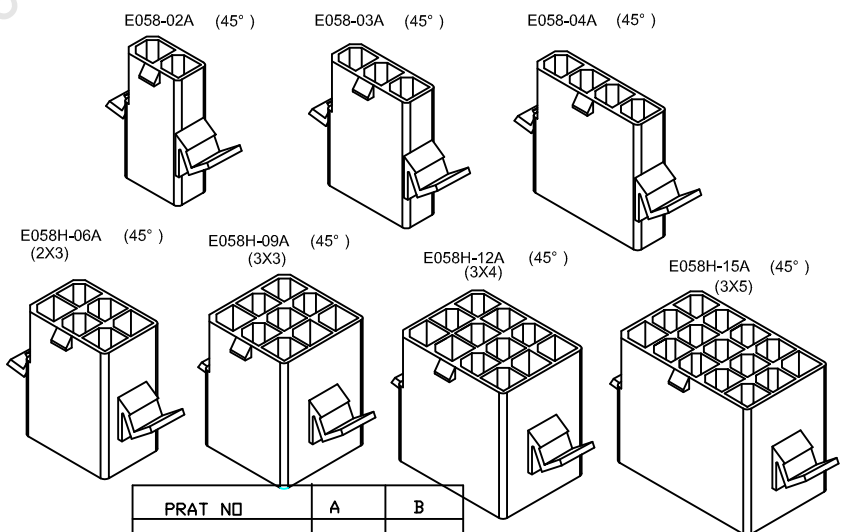
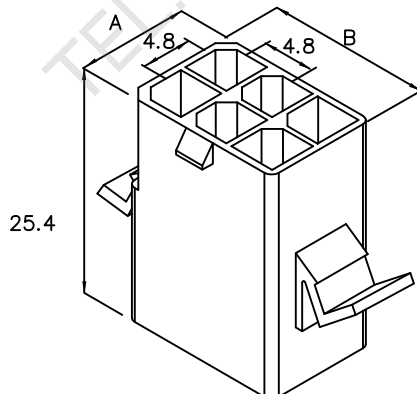
4.8mm PITCH HOUSING

## Features:

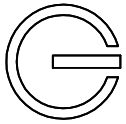
\* MAT'L: NYLON66 UL94-V2

\* MATES WITH: E058  
SERIES TERMINAL

\* MATES WITH: E158-A  
SERIES HOUSING



PRAT NO	A	B
E058H-02A (1X2)	7.2	12.0
E058H-03A (1X3)	7.2	16.8
E058H-04A(1X4)	7.2	21.6
E058H-06A(2x3)	12.0	16.8
E058H-09A(3X3)	16.8	16.8
E058H-12A(3X4)	16.8	21.6
E058H-15A(3X5)	16.8	26.4



# E158H / E158H-K 3.68mm PITCH HOUSING

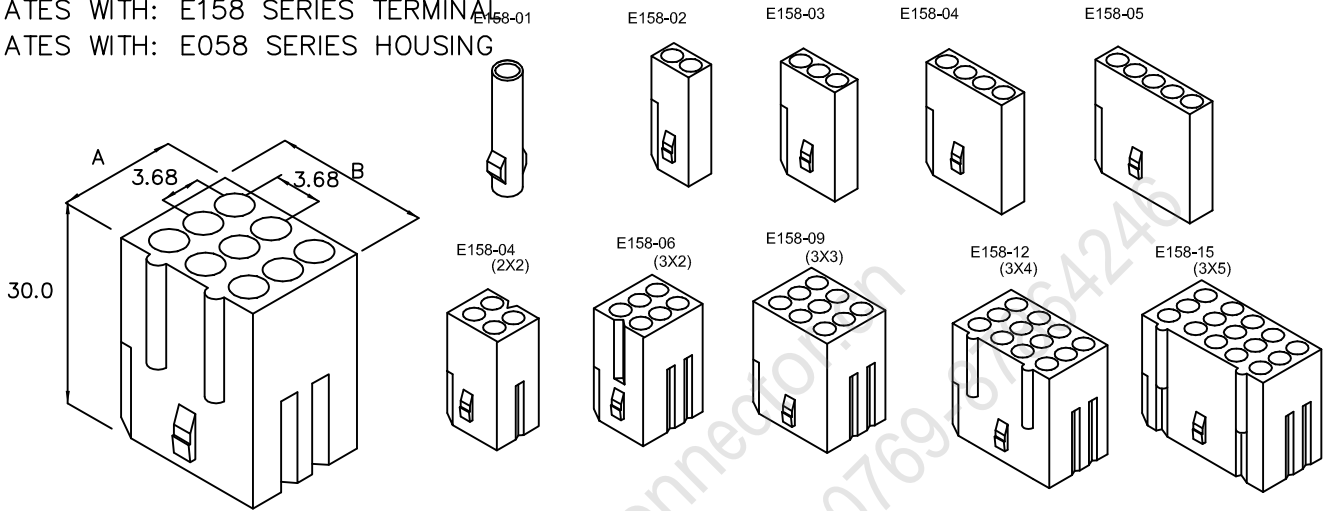
## E158

### Features:

MAT'L: NYLON66 UL94-V2

MATES WITH: E158 SERIES TERMINAL

MATES WITH: E058 SERIES HOUSING



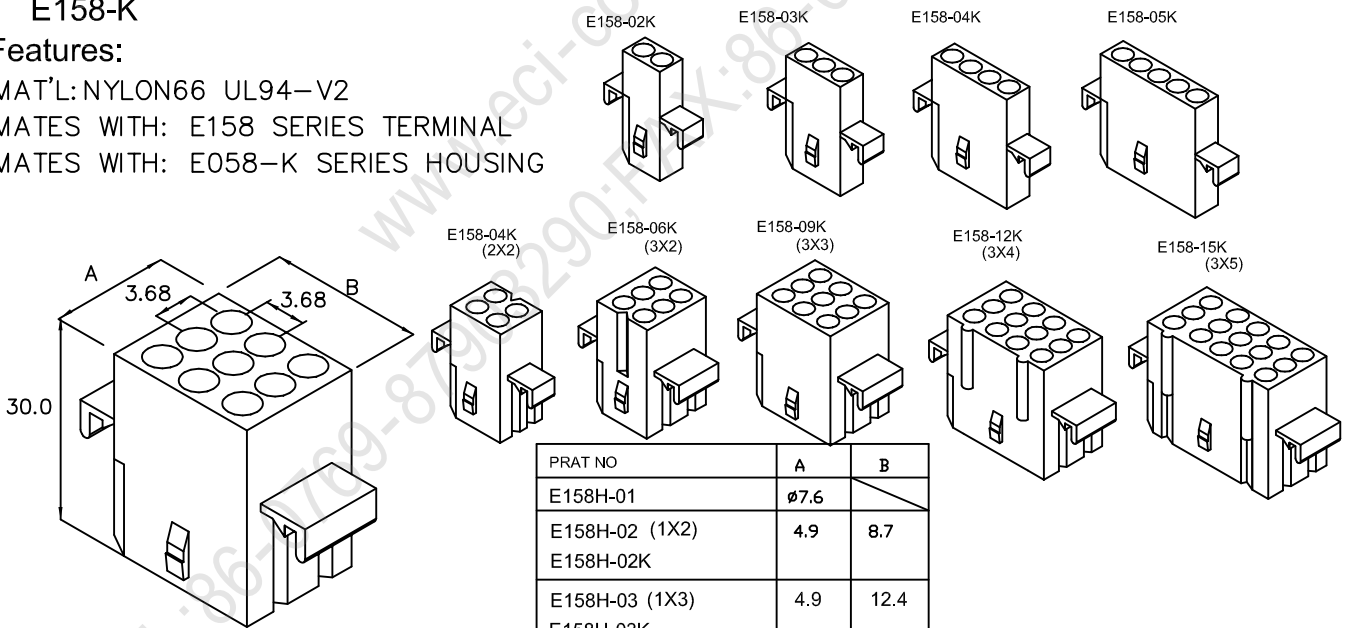
## E158-K

### Features:

MAT'L: NYLON66 UL94-V2

MATES WITH: E158 SERIES TERMINAL

MATES WITH: E058-K SERIES HOUSING



PRAT NO	A	B
E158H-01	Ø7.6	
E158H-02 (1X2)	4.9	8.7
E158H-02K		
E158H-03 (1X3)	4.9	12.4
E158H-03K		
E158H-04 (1X4)	4.9	16.1
E158H-04K		
E158H-05 (1X5)	4.9	19.7
E158H-05K		
E158H-04 (2X2)	8.6	8.6
E158H-04K		
E158H-06 (3X2)	12.5	8.6
E158H-06K		
E158H-09 (3X3)	12.7	12.7
E158H-09K		
E158H-12 (3X4)	12.7	16.8
E158H-12K		
E158H-15 (3X5)	12.7	19.9
E158H-15K		