

E631H/E731H *E631H-K/E731H-K* SERIES

4.0mm WIRE TO BOARD CONNECTOR

● Specifications

Current rating: 3A AC,DC

Voltage rating: 250V AC,DC

Temperature range: -25° C to+85° C

(including temperature rise)

Contact resistance: Initial value/10m Ω Max.

After environmental testing/20m Ω Max.

Insulation resistance: 500M Ω MIN.

Withstanding voltage: 1500V AC/minute

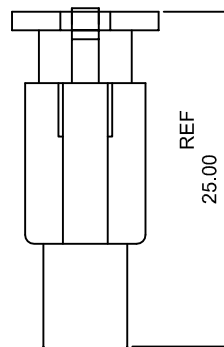
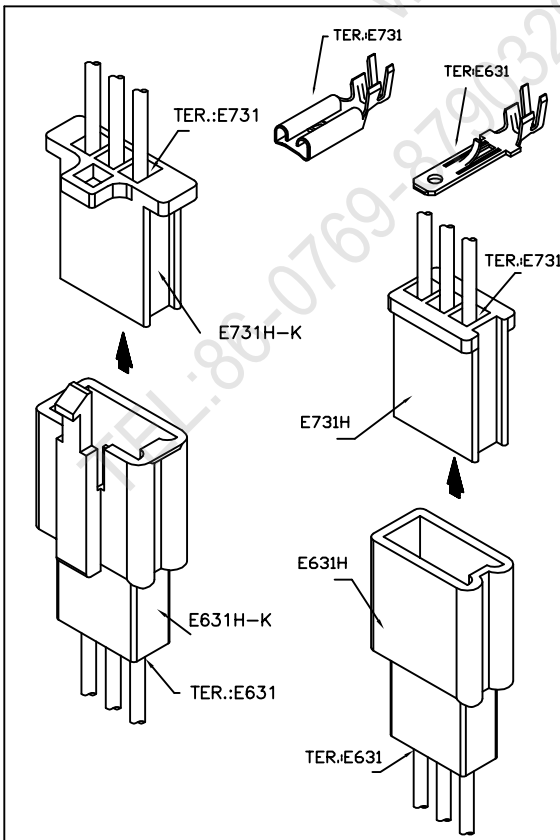
Applicable wire: AWG#18-22

● Standards

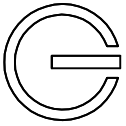


LR84767

Assembly layout



WIRE TO WIRE



E731H

4.0mm PITCH HOUSING

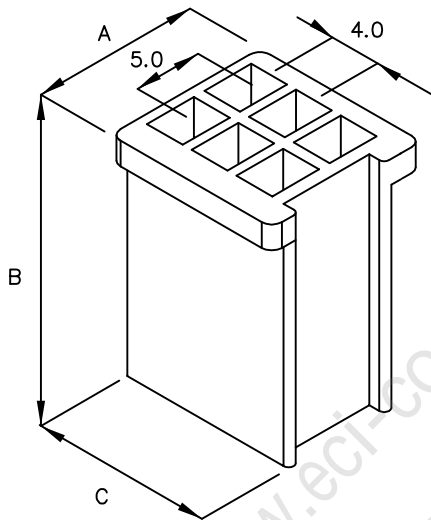
Features:

MAT'L: NYLON 66 UL94V-2

MATES WITH: E731 SERIES TERMINAL

ACCEPTS WITH: E631H SERIES HOUSING

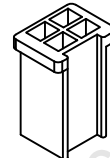
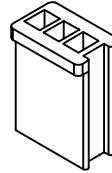
E731H-06(2X3)



unit:mm

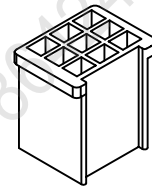
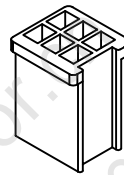
E731H-03(1X3)

E731H-04(2X2)



E731H-04(2X2)

E731H-09(3X3)



PART NO.	A	B	C
E731H-03 (1X3)	8.2	19.5	14.5
E731H-04 (2X2)	13.3	19.5	14.5
E731H-06 (2X3)	13.3	19.5	15.5
E731H-09 (3X3)	18.2	19.5	15.5

E631H

4.0mm PITCH HOUSING

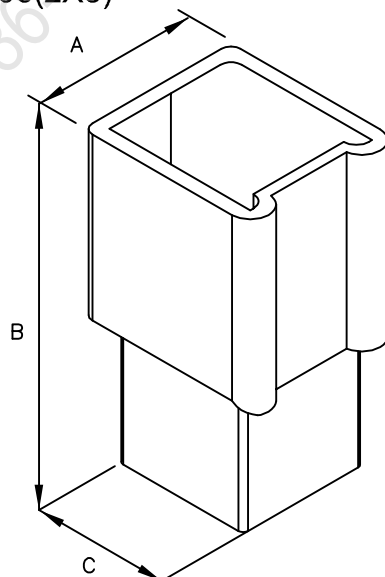
Features:

MAT'L: NYLON 66 UL94V-2

MATES WITH: E631 SERIES TERMINAL

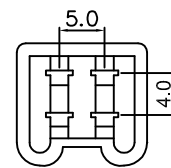
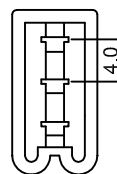
ACCEPTS WITH: E731H SERIES HOUSING

E631H-06(2X3)



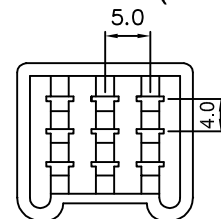
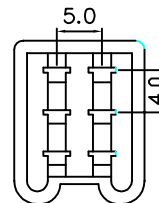
E631H-01(1X3)

E631H-04(2X2)



E631H-06(2X3)

E631H-09(3X3)



PART NO.	A	B	C
E631H-03 (1X3)	9.5	32.0	13.2
E631H-04 (2X2)	14.5	32.0	9.4
E631H-06 (2X3)	14.5	32.0	13.2
E631H-09 (3X3)	19.4	32.0	13.2



E631 E630 FASTON TERMINAL

E631

E630

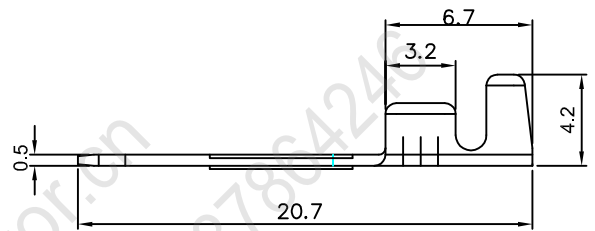
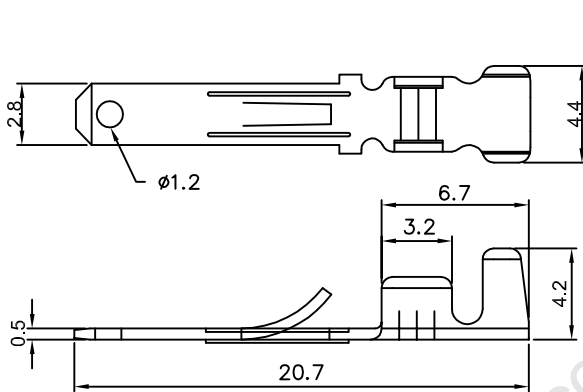
unit:mm

Features:

THICKNESS: 0.5mm
 MATERIAL: BRASS
 TREATMENT: CHEMICAL GRADING
 ACCEPTS : E731 SERIES TERMINAL

Features:

THICKNESS: 0.5mm
 MATERIAL: BRASS
 TREATMENT: CHEMICAL GRADING
 ACCEPTS : E631H SERIES HOUSING



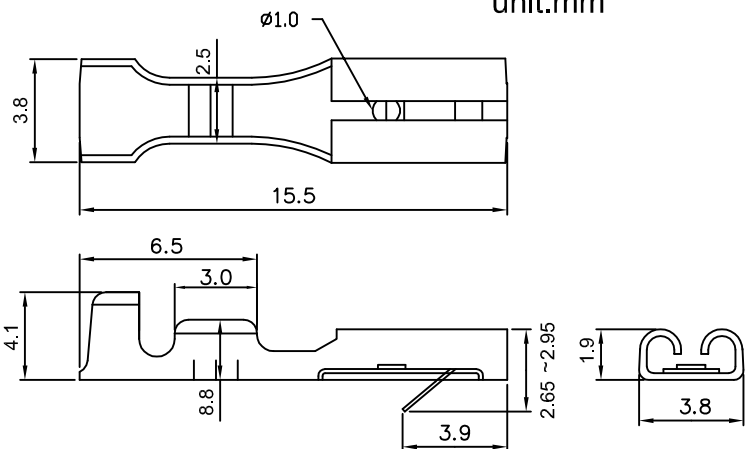
Part No	Wire Range	Insulation O.D.	Material	Finish	Qty/reel
E631	#18-22	φ1.9~φ2.5	BRASS		5000
E630	#18-22	φ1.9~φ2.5	BRASS		5000

E731 FASTON TERMINAL

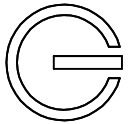
Features:

THICKNESS: 0.25mm
 MATERIAL: BRASS TIN PLATED
 ACCEPTS : 110" TAB PLUG

unit:mm



Part No	Wire Range	Insulation O.D.	Material	Finish	Qty/reel
E731	#18-22	φ1.9~φ2.5	BRASS	TIN PLATED	10,000



E731H-K

4.0mm PITCH HOUSING

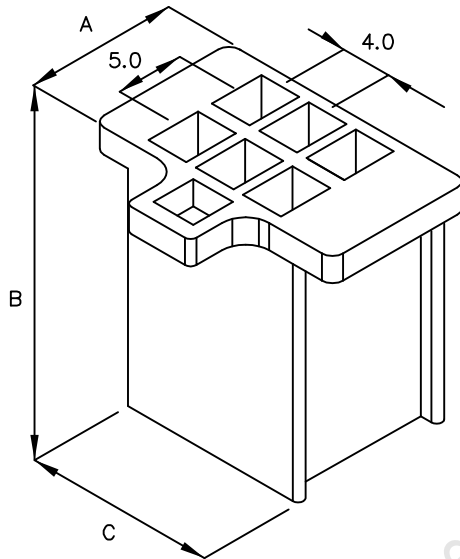
Features:

MAT'L: NYLON 66 UL94V-2

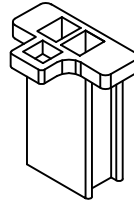
MATES WITH: E731 SERIES TERMINAL

ACCEPTS WITH: E631-K SERIES HOUSING

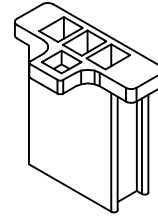
E731H-06K(2X3)



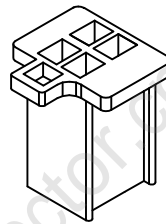
E731H-02K(1X2)



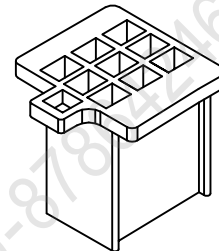
E731H-03K(1X3)



E731H-04K(2X2)



E731H-09K(3X3)



PART NO.	A	B	C
E731H-02K (1X2)	6.2	19.5	10.4
E731H-03K (1X3)	6.2	19.5	14.4
E731H-04K (2X2)	11.2	19.5	10.4
E731H-06K (2X3)	11.2	19.5	14.4
E731H-09K (3X3)	16.2	19.5	14.4

E631H-K

4.0mm PITCH HOUSING

Features:

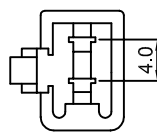
MAT'L: NYLON 66 UL94V-2

MATES WITH: E631 SERIES TERMINAL

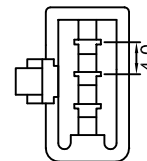
ACCEPTS WITH: E731-K SERIES HOUSING

unit:mm

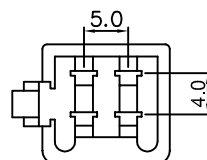
E631H-02K(1X2)



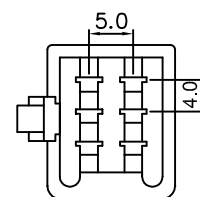
E631H-03K(1X3)



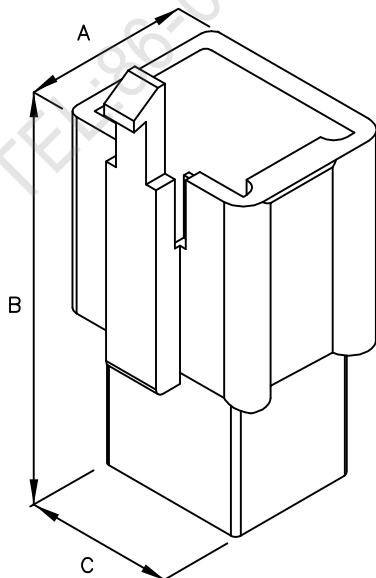
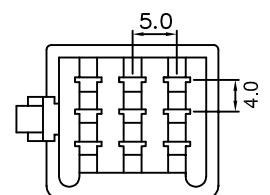
E631H-04K(2X2)



E631H-09K(2X3)



E631H-09K(3X3)



PART NO.	A	B	C
E631H-02K (1X2)	9.3	30.0	9.2
E631H-03K (1X3)	9.3	30.0	13.2
E631H-04K (2X2)	14.5	30.0	9.2
E631H-06K (2X3)	14.5	30.0	13.2
E631H-09K (3X3)	19.4	30.0	13.2